

Shark

PET CLEAN

**BAGLESS UPRIGHT VACUUM
ASPIRATEUR VERTICAL SANS SAC**

Model/Modèle: V1504C

120V., 60Hz., 12 Amps/Ampères



EURO-PRO Operating LLC
Boston, MA, 02465
Tel.: 1 (800) 798-7398
www.sharkclean.com

IMPORTANT SAFETY INSTRUCTIONS

When using your **Bagless Upright Vacuum** basic safety precautions should always be observed, including the following:

1. Read all instructions before using your vacuum.
2. Use the system only for its intended use.
3. To protect against a risk of electric shock, **DO NOT** immerse any part of the system in water or other liquids.
4. **Never** yank cord to disconnect from outlet; instead, grasp plug and pull to disconnect.
5. **DO NOT** allow cord to touch hot surfaces.
6. **DO NOT** run appliance over cord.
7. **DO NOT** operate the system with a damaged cord or plug, or if the appliance or any other part of the system has been dropped or damaged. To avoid the risk of electric shock, **DO NOT** disassemble or attempt to repair the vacuum. Return the vacuum to **EURO-PRO Operating LLC** (see warranty) for examination and repair. Incorrect re-assembly or repair can cause a risk of electrical shock or injury to persons when the vacuum is used.
8. Close supervision is necessary for any appliance being used by or near children. **DO NOT** leave the system unattended while connected.
9. Keep hair, loose clothing, fingers and all parts of body away from opening and moving parts.
10. **DO NOT** use to pick up flammable or combustible liquids such as gasoline or use in areas where they may be present.
11. **DO NOT** pick up anything that is burning or smoking such as cigarettes, matches or hot ashes.
12. Use extra care when cleaning on stairs.
13. **DO NOT** use the vacuum without all the filters in place.
14. This appliance is intended only for household use. Follow all user instructions in this manual.

WARNING:

To reduce the risk of fire, electric shock, or injury:

- **DO NOT** leave the vacuum plugged in when unattended. Unplug the electrical cord when not in use and before servicing.
- **DO NOT** allow to be used as a toy. Close attention is necessary when used by or near children, pets or plants.
- Use only as described in this manual. Use only manufacturer's recommended accessories.
- **DO NOT** pull cord, use cord as a handle, close a door on cord, or pull cord around sharp edges or corners. Keep cord away from heated surfaces.
- Use **only** extension cords UL-rated or cUL at 15 amperes. Extension cords rated for less amperage may overheat. Care should be taken to arrange the cord so that the cord cannot be pulled or tripped over.
- Turn off all controls as applicable before unplugging from electrical outlet.
- **DO NOT** handle plug or vacuum with wet hands or operate without shoes.
- **DO NOT** put any objects into openings. Do not use with any opening blocked. Keep free of dust, lint, hair and anything else that may reduce air flow.
- Store your appliance indoors in a cool, dry area.
- Keep your work area well lit.
- Keep end of hose, wands and other openings away from your face and body.
- **DO NOT** use outdoors or on wet surfaces.
- Using improper voltage may result in damage to the motor and possible injury to the user. Correct voltage is listed on rating label.

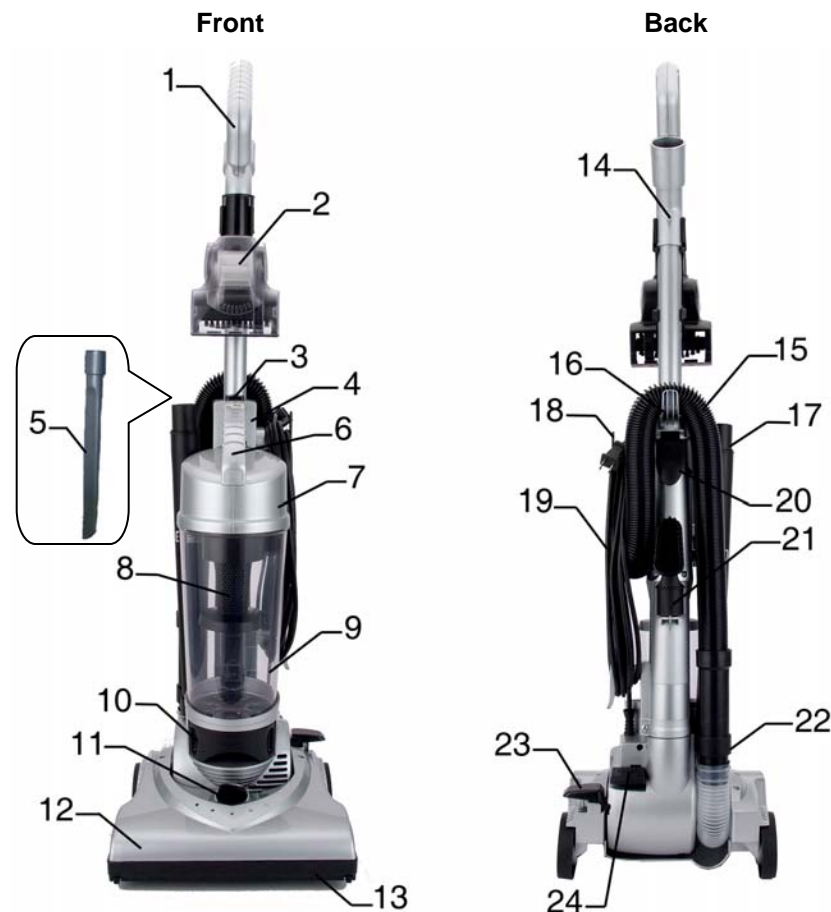
SAVE THESE INSTRUCTIONS

For Household Use Only



WARNING: To reduce the risk of electric shock, this appliance has a polarized plug (one blade is wider than the other). This plug will fit in a polarized outlet only one way. If the plug does not fit fully in the outlet, reverse the plug. If it still does not fit, contact a qualified electrician to install the proper outlet. Do not modify the plug in any way.

GETTING TO KNOW YOUR BAGLESS UPRIGHT VACUUM



1. Handle
2. Pet HairTurbo Brush
3. Dust Cup Release Button
4. Main Body
5. Crevice Tool (inside extension tube)
6. Carrying Handle
7. Dust Cup Cover
8. Dust Cup Screen
9. Dust Cup (Container)
10. Pre-Motor Filter Frame
11. Carpet Height Adjustment Knob
12. Power Nozzle
13. Furniture Guard

14. Power Cord Hook
15. Flexible Hose
16. Hose Holder
17. Extension Tube
18. Quick Release Power Cord Holder
19. Power Cord
20. Handle Locking Lever
21. Upholstery Brush
22. Hose Connector
23. Handle Release Pedal
24. On/Off Pedal

Technical Specifications

Voltage: 120V., 60Hz.

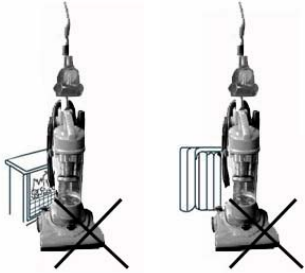
Power: 12 Amps

*Note: Illustrations may differ from actual unit.

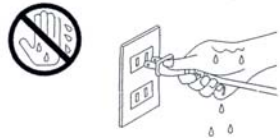
PRECAUTIONARY MEASURES

IMPORTANT: If the suction opening in the unit or the hose is **BLOCKED**, switch off the vacuum cleaner and remove the blocking substance before you start the unit again.

1. **DO NOT** operate the vacuum cleaner close to heaters or radiators.



2. Before inserting the power plug into the wall outlet, make sure that your hands are dry.



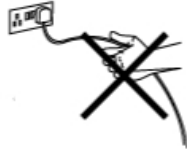
3. **DO NOT** vacuum liquids.



4. Keep hair, loose clothing, fingers, feet and all parts of body away from openings, rotating beater brush and other moving parts.



5. When pulling out the power plug from the wall outlet, pull the **plug** not the power cord.



6. **DO NOT** pick up anything that is burning or smoking such as cigarettes, matches or hot ashes.

7. **DO NOT** run appliance over power cord.



8. **DO NOT** use without dust cup filter or filters in place.

9. Before you start vacuuming, make sure to remove large or sharp objects that might damage the vacuum.



OPERATING INSTRUCTIONS

WARNING: Always remove the power plug from the wall outlet before assembling, installing or removing accessories or before performing any maintenance or trouble shooting.

Assembling Your Vacuum Cleaner

1. Lift the handle locking lever. (Fig. 1)
2. Insert the handle as far as it will go into the opening in the top of the main body. Make sure that the handle fits correctly into the opening.
3. Press the handle locking lever back down to lock the handle into place.



Fig. 1

Winding & Unwinding the Power Cord

This vacuum cleaner is equipped with a convenient cord storage feature. The power cord winds around the two cord holders at the side of the unit. The top cord holder has a quick cord release feature. Turn the top cord holder to the left or the right 180° to easily remove the power cord. (Fig. 2)

To wind the power cord, make sure the quick release cord holder is in the upright position and wind the cord clockwise around the two cord holders.

Note: Wrapping the cord with excessive tension could damage the cord.



Fig. 2

Using the Vacuum Cleaner

WARNING: Avoid leaving the vacuum turned on in one place for an extended period of time as this may damage the carpet.

When using the vacuum cleaner, remove the power cord from the holders, clip the power cord to the power cord hook and ensure that the rest of the power cord doesn't get in the way of the power nozzle when vacuuming.

IMPORTANT: Always ensure that the vacuum cleaner is turned off before unplugging and plugging in.

1. Plug in the vacuum and press the On/Off pedal.
2. Depress the handle release pedal to release the handle. (Fig. 3)

Note: When using the attachments, place the vacuum in the upright position.

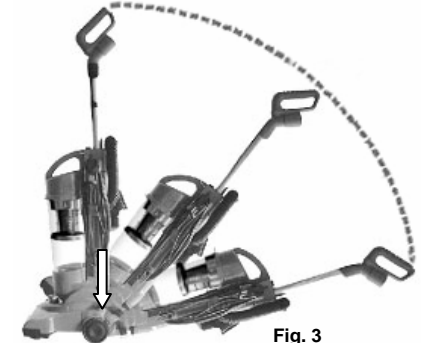


Fig. 3

OPERATING INSTRUCTIONS

Carpet Height Adjustment

WARNING: To avoid injury, keep loose clothing, hair, fingers and all other body parts away from any moving part (such as the beater brush). Make sure the vacuum is turned off and unplugged before adjusting the carpet height adjustment knob.

ATTENTION: Special care is required when vacuuming certain types of carpet or floor covering. Always check the carpet or floor covering manufacturer's recommended cleaning instructions before vacuuming. On the front of the power nozzle there is a carpet height adjustment knob that raises and lowers the motorized power nozzle to match the type of carpet or floor surface. (Fig. 4)



Fig. 4

Note: DO NOT press down on the power nozzle while turning the knob. This upright vacuum can be used on multiple types of carpeting, bare floors or upholstery with accessories. Place the vacuum in the upright position and use the highest setting when using the accessories. Doing this will help prevent possible floor damage as the beater brush will continue to brush the same area of the floor while you are using the accessories. Set the height adjustment knob to the lowest setting for maximum cleaning. If the vacuum is too difficult to push, turn the knob to the next highest setting. The beater brush must reach the carpet for effective cleaning.

Note: When changing the height of the power nozzle, it will only be noticeable when the handle is released.

Suggested Pile Height Setting:
You may need to raise or lower the height of the vacuum depending on the surface being vacuumed, such as scatter rugs and longer pile carpets. Suggested settings are:

- Highest accessories
- High shag carpet, long pile, plush scatter rugs
- Med medium to long pile
- Low short to medium pile, bare floors
- Floor very low pile, bare floors

Emptying the Dust Cup (Container)

WARNING: Always unplug the power cord from the electrical outlet before removing the dust cup (container), filter or performing maintenance or trouble shooting checks.

CAUTION: Never allow the amount of debris in the dust cup to exceed the MAX line on the side of the dust cup.

Note: For best results, clean your dust cup, filters and pre-motor filter frame regularly. When suction appears reduced, it may be due to a dirty dust cup, dust cup screen, pre-motor filter or pre-motor filter frame. We recommend washing the pre-motor filter and pre-motor filter frame once every three (3) months and replacing the pre-motor filter once every year or as needed.

IMPORTANT:

- **DO NOT** use the vacuum without the dust cup, dust cup screen, filter or pre-motor filter frame in place.
- **DO NOT** use detergents to wash the dust cup, dust cup screen, filter or pre-motor filter frame.
- **DO NOT** wash the dust cup, dust cup screen, filter or pre-motor filter frame in the dishwasher.
- Ensure that all parts are **COMPLETELY** dry before replacing into the main body. Allow the pre-motor filter and pre-motor filter frame to air dry for 24 hours.
- **DO NOT DRY ANY PARTS IN THE DRYER.**

OPERATING INSTRUCTIONS

1. To remove the dust cup, press the dust cup release button and pull the dust cup away from the main body. (Fig. 5)

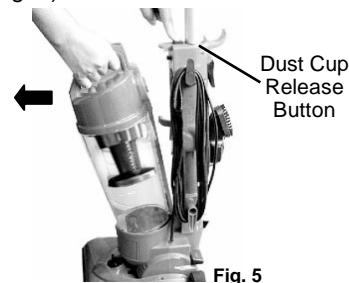


Fig. 5

2. To empty the dust cup, hold it by the carrying handle over a garbage container and press the trapdoor release button located at the top of the handle. (Fig. 6)
3. Shake the debris out, then close the trapdoor by pressing it shut until it clicks to lock.



Fig. 6

Cleaning the Dust Cup Screen and Dust Cup

Keep the dust cup screen and dust cup free of dirt and debris by cleaning it regularly or as needed for peak performance of your vacuum cleaner.

1. Press the trapdoor release button to open the trapdoor.
2. Hold the dust cup container in one hand and with the other turn the handle or the cover counter clockwise to unlock and remove. (Fig. 7)
3. Remove the dust cup screen from inside the dust cup cover by turning the dust cup screen counterclockwise and pulling it out. (Fig. 8)

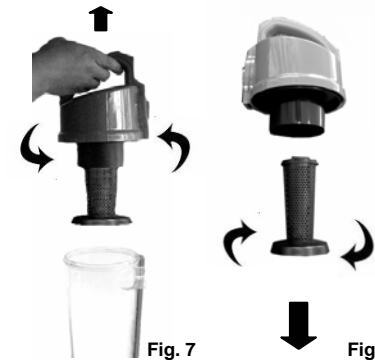


Fig. 7

Fig. 8

4. Wash the dust cup screen and dust cup under the tap with lukewarm soapy water. (Fig. 9)



Fig. 9

5. Allow the dust cup screen and dust cup to dry completely before re-assembling and replacing into the main body.
6. An arrow on the side of the dust cup will indicate when the cover is locked and unlocked when you turn the cover. (Fig. 10) Make sure that the arrow indicates that the cover is locked position before re-installing the dust cup into the main body.

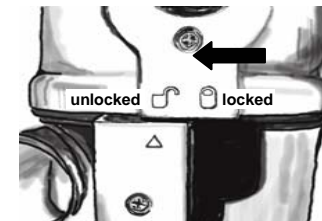


Fig. 10

OPERATING INSTRUCTIONS

Cleaning the Pre-Motor Filter

1. Pull the pre-motor filter frame out of the main body. (Fig. 11)



Fig. 11

2. Remove the pre-motor filter from the frame and wash both the filter and the frame under the tap with lukewarm water. (Fig. 12)

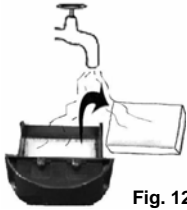


Fig. 12

3. Allow both parts to air dry completely before placing the filter back in the frame and sliding the frame back into the main body. Let the pre-motor filter and pre-motor filter frame air dry for 24 hours. **DO NOT DRY IN THE DRYER.**

Using the Accessories

IMPORTANT: Make sure the vacuum cleaner is turned off when attaching or removing any accessories.

CAUTION: DO NOT pull the vacuum cleaner around by the hose. **DO NOT** over stretch the hose. Trying to reach beyond the hose's extent may cause the vacuum cleaner to tip over.

Crevice Tool

The crevice tool is located inside the extension tube and can be used for radiators, crevices, corners, baseboards and between cushions. (Fig. 13)



Fig. 13

Upholstery Brush

The upholstery brush is conveniently mounted on the back of the main body of the vacuum cleaner. The brush can be used for cleaning the furniture, Venetian blinds, books, lamp shades and shelves. (Fig. 14)



Fig. 14

Extension Tube

This attachment is stored on the right side of the cleaner on it's own holder in front of where the flexible hose taches to the hose connector. This tool is designed to extend your reach. Attach this accessory by it's narrower end to the flexible hose and use for hard to reach places. (Fig. 15)



Fig. 15

Turbo Brush

The turbo brush conveniently attaches to the handle with an attaching bracket.

1. Ensure that the handle is attached to the main body before attaching the turbo brush to the handle.
2. First attach the turbo brush to the attaching bracket by hooking the edge of the opening under the trapdoor on the bottom of the turbo brush to the flat part of the bracket. Then press the tube part of the turbo brush against the clip on the bracket until the two pieces snap together.
3. Hold the assembled pieces by the turbo brush and touch the two clips on the bracket to the metal tube of the handle. Hold the handle from the top and squeeze the two pieces together, putting more force on the bigger clip until the bracket snaps on.
4. Remove the turbo brush from the bracket in order to use. (Fig. 16)



Fig. 16

OPERATING INSTRUCTIONS

The efficiency of your turbo brush depends on the bristle brush rotating at high speed. Strong air suction is needed to accomplish this. In order to ensure that maximum air suction is maintained, please read the following instructions:

1. Empty the dust cup frequently during use.
2. Inspect the rotating bristle brush and air turbine wheel regularly. Inspect the turbine wheel and air passage for debris and/or blockages. Remove debris if present.
3. Inspect the rotating brush for a build up hair or string. If present, remove by carefully cutting with scissors. Avoid damaging or cutting the bristles.

Cleaning the Pet Hair Turbo Brush

To clean the pet hair turbo brush:

1. Hold the turbo brush in your hand and with the help of a screwdriver, gently pry the cover off. (Fig. 17)
2. Inspect turbine wheel and air passage for debris and/or blockage. Remove any debris if present.
3. Inspect the rotating brush for built-up hair or string. If present, remove by carefully cutting with scissors. Avoid damaging or cutting bristles.
4. Once clean, align the cover of the turbo brush with the edge of the brush and snap it closed. (Fig. 18)

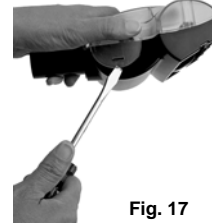


Fig. 17

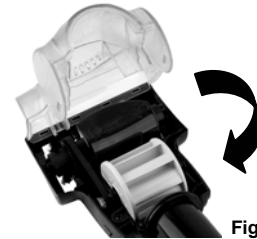


Fig. 18

Using the Vacuum for Above Floor Cleaning

1. Place the vacuum cleaner in the upright position.
2. Set the carpet height adjustment knob to the highest setting "●".
3. To attach the accessories to the flexible hose, remove the hose from the hose connector and push the desired accessory onto the end.
4. If additional length is required, the handle may be used. Remove the handle from the main body by first lifting the handle locking lever. Push the end of the flexible hose into the opening at the back of the handle. Attach the desired accessory to the end of the handle.
5. The crevice tool, turbo brush and upholstery brush can also be attached to the end of the extension tube.
6. Ensure that the attachment you are using is appropriate for the surface you are cleaning.
7. To return to vacuuming the floor, perform the following steps:
 - Detach the hose from the handle and push it snugly back into the hose connector.
 - Hang the flexible hose back onto the hose holder.
 - Return the handle to it's regular position in the opening on top of the main body and push down the handle locking lever to lock the handle into place.
 - Return the carpet height adjustment knob to the appropriate setting.

OPERATING INSTRUCTIONS

Clearing Blockages

IMPORTANT: Damages caused while clearing or attempting to clear blockages are not covered under your product's limited warranty.

CAUTION: Beware of sharp objects when clearing blockages.

IMPORTANT: Replace parts of the vacuum securely before using again.

WARNING: Turn off and unplug the unit before searching for or removing any blockage or debris.

Occasionally the vacuum may become blocked by a build up of debris which will require cleaning. To reduce the risk of electric shock, the power cord must be disconnected before clearing a blockage or performing maintenance or trouble shooting checks.

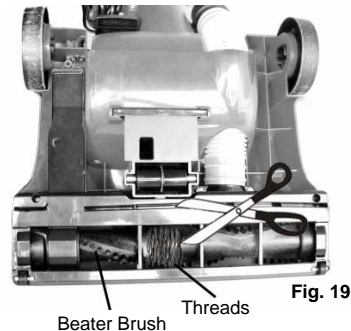
If you suspect there is a blockage, it is important to locate where it is. Once found, carefully remove it using an appropriate tool that will not cause damage to yourself, the unit or anything else. Follow the following steps to try to find the blockage.

1. First make sure that the dust cup, dust cup screen, filter and pre-motor filter frame are free of debris as this may cause poor suction if dirty.
2. Be sure to check all the accessories for blockages as well as different parts of the vacuum cleaner. Shine a light through them to see if there is anything lodged inside.
3. If you are using the handle as an extension, be sure to check inside the handle as well.
4. Check the flexible hose for blockages by removing the hose from the hose connector. The other end may be detached as well by squeezing the ribbed tabs on the sides of the hose and pulling. Straighten the hose and shine a light through in order to find any blockages.
5. Check inside both openings where the two ends of the hose were attached to the main body.

6. There is an intake opening where the beater brush is underneath the unit where debris may collect, reducing suction. You can check this area by releasing the handle with the handle release pedal to make the vacuum cleaner straight. Lay the vacuum on it's front to expose the beater brush on the bottom of the unit. An accumulation of hair, string, thread and other debris may become caught and wrap around the beater brush. The beater brush must be free of debris for effective cleaning. If a build-up of debris is present, remove by carefully cutting with scissors. Avoid damaging or cutting the bristles. (Fig. 19)

Cleaning the Beater Brush

To inspect the beater brush, release the handle with the handle release pedal to make the vacuum cleaner straight and lay the vacuum on it's front to expose the beater brush on the bottom of the unit. An accumulation of hair, string, thread and other debris may become caught and wrap around the beater brush. The beater brush must be free of debris for effective cleaning. If a build-up of debris is present, remove by carefully cutting with scissors. Avoid damaging or cutting the bristles. (Fig. 19)



OPERATING INSTRUCTIONS

Changing the Belt

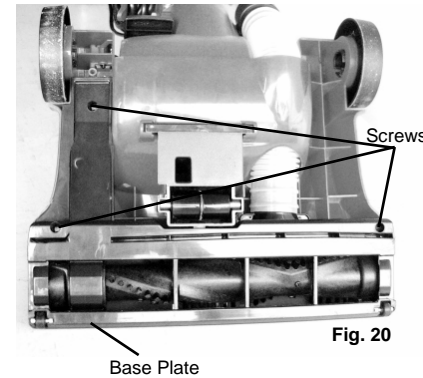
WARNING: To reduce the risk of electric shock, the power cord must be disconnected before removing the dust cup, filter or performing maintenance/trouble shooting checks.

IMPORTANT: Only use belts recommended by the manufacturer.

Note: Be very careful with the new belt and **DO NOT** use any sharp tools to install it that could damage it.

Occasionally the power nozzle drive belt that turns the beater brush will become worn or break or start to slip and will require changing, the frequency will depend on how much your vacuum is used.

1. Turn the vacuum off and unplug it from the power supply.
2. Release the handle with the handle release pedal to make the vacuum cleaner straight and lay the vacuum on it's front so you can see the bottom of the vacuum clearly.
3. Using a Philips screw driver, remove the three (3) screws that attach the base plate to the power nozzle. Be sure to set them aside somewhere safe. (Fig. 20)



4. Carefully pry the base plate off by first pulling forward from the front and lifting up.

5. Take note of where the belt is so that you can be sure that the new one is in the same position. (Fig. 21)

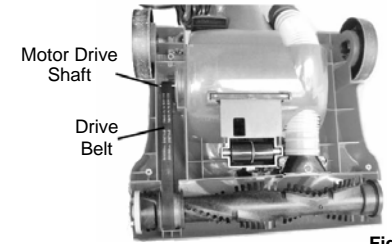


Fig. 21

6. Remove the beater brush by lifting the right side first, then the left side. Be careful as the belt is being stretched and has tension.
7. Remove the belt by first sliding it off the beater brush and then off the motor drive shaft. To better reach the other end of the belt where it is wrapped around the motor drive shaft, you can lay the vacuum cleaner on it's right side and remove the small cover panel located on the power nozzle just in front of the handle release pedal. It is held on by three (3) screws. Removing this will reveal the motor drive shaft and provide easier access to the part of the belt which is wrapped around it. Be sure to set the screws and small cover panel aside somewhere safe.
8. Clean the area of any debris or belt residue that may be present.
9. Install the new belt just as the old one was. First loop it onto the motor drive shaft and then onto the beater brush. Stretch it as you put the beater brush back into place starting with the left side first, then the right side. Check to make sure that the belt is centered on the motor drive shaft and that the beater brush rotates.
10. Once the new belt is installed correctly, replace the small cover panel and base plate and ensure that all the screws are back in place and tightened. Do not turn the screws too tightly to avoid stripping the screw holes.

OPERATING INSTRUCTIONS

Motor Thermostat

IMPORTANT: This unit is equipped with a motor protective thermostat. If for some reason the vacuum cleaner should overheat, the thermostat will automatically turn the unit off. Should this occur:

- Push the On/Off pedal once.
- Disconnect the plug from the power source.
- Find the source of the overheating problem. (i.e. clogged hose or dirty filter)

- If clogged hose or dirty filter is found, unclog the hose and/or clean or replace the filter.
- Wait at least 45 minutes before attempting to reuse the vacuum.
- After unit has cooled down for 45 minutes, plug in the cleaner and press on the On/Off pedal. The vacuum should start again. If the vacuum still does not start, or if the thermostat switches off the unit again contact customer service at 1 (800) 798-7398.

TROUBLESHOOTING

This appliance was inspected thoroughly and was in good operating condition when it was shipped from the factory. If a minor problem occurs, it usually can be solved quite easily when the cause is found. Therefore, this checklist is provided for your convenience.

PROBLEM	POSSIBLE CAUSE	POSSIBLE SOLUTION
Cleaner Won't Run	<ol style="list-style-type: none"> 1. Not properly plugged into wall outlet. 2. No electricity in wall outlet. 3. On/Off pedal not turned on. 4. Motor thermostat tripped. 5. No power in electrical outlet. 	<ol style="list-style-type: none"> 1. Plug in firmly. 2. Check fuse or breaker. 3. Push On/Off pedal to turn on. 4. Reset motor thermostat. 5. Check fuse or breaker. Replace fuse or reset breaker
Cleaner Won't Pick Up	<ol style="list-style-type: none"> 1. Full or clogged dust cup. 2. Wrong pile height setting. 3. Clogged nozzle. 4. Clogged dust inlet port. 5. Clogged hose. 6. Broken/ worn out belt. 7. Hose not inserted fully. 8. Dirty filters and filter frame 	<ol style="list-style-type: none"> 1. Clean dust cup. 2. Adjust setting. 3. Remove obstruction. 4. Remove power nozzle base plate and remove obstruction. 5. Remove obstruction. 6. Replace belt. 7. Push hose in securely at both ends. 8. Clean/change filters and filter frame.
Cleaner Picks Up Moveable Rugs Or Pushes Too Hard	<ol style="list-style-type: none"> 1. Wrong pile height setting. 	<ol style="list-style-type: none"> 1. Adjust setting.
Beater Brush Does Not Turn	<ol style="list-style-type: none"> 1. Broken/worn out belt. 2. Belt installed incorrectly. 	<ol style="list-style-type: none"> 1. Replace belt. 2. Check belt changing instructions.
Turbo Brush Does Not Rotate Or Rotates Slowly	<ol style="list-style-type: none"> 1. Rotating brush or turbine obstructed. 2. Belt broken. 3. Hose obstructed. 	<ol style="list-style-type: none"> 1. Clear obstructions. 2. Call Customer Service. 3. Clear obstruction.
Air Flow Restricted With Attachment Use	<ol style="list-style-type: none"> 1. Attachment use restricts air flow. 2. New carpet debris clogging air path. 	<ol style="list-style-type: none"> 1. Check attachment. 2. Remove obstruction.

TO ORDER REPLACEMENT SUPPLIES

for Model V1504C

Call: 1 (800) 798-7398

Monday to Friday 8:30 A.M. - 5:00 P.M. Eastern Standard Time

or

visit our website: www.sharkclean.com

ITEM	PART #
Pre-Motor Filter	XSH1504
Drive Belt	XL1504

FOR TECHNICAL SUPPORT

Call: 1 (800) 798-7398

Monday to Friday 8:30 A.M. - 5:00 P.M. Eastern Standard Time

Please Note:

The dust cup screen and pre-motor filter are washable. We recommend washing the pre-motor filter once every three months or when suction appears to be reduced. **DO NOT** wash in the dishwasher.

The pre-motor filter should however be replaced once every year depending on the amount of use, to ensure peak performance of your vacuum.

IMPORTANT:

Make sure that **ALL** washable filters and the pre-motor filter frame are **completely** dry before inserting back in the vacuum. Allow the pre-motor filter and pre-motor filter frame to air dry for 24 hours. **DO NOT DRY IN THE DRYER.**

ONE (1) YEAR LIMITED WARRANTY

EURO-PRO Operating LLC warrants this product to be free from defects in material and workmanship for a period of one (1) year from the date of the original purchase, when utilized for normal household use, subject to the following conditions, exclusions and exceptions.

If your appliance fails to operate properly while in use under normal household conditions within the warranty period, return the complete appliance and accessories. For Customer Service support, call 1 (800) 798-7398 or visit our website www.sharkclean.com.

If the appliance is found to be defective in material or workmanship, **EURO-PRO Operating LLC** will repair or replace it free of charge. Proof of purchase date and \$ 16.95 to cover the cost of return shipping and handling must be included. *

Non-durable parts including, without limitation, filters, brushes and electrical parts which normally require replacement are specifically excluded from warranty.

The liability of **EURO-PRO Operating LLC** is limited solely to the cost of the repair or replacement of the unit at our option. This warranty does not cover normal wear of parts and does not apply to any unit that has been tampered with or used for commercial purposes. This limited warranty does not cover damage caused by misuse, abuse, negligent handling or damage due to faulty packaging or mishandling in transit. This warranty does not cover damage or defects caused by or resulting from damages from shipping or repairs, service or alterations to the product or any of its parts, which have been performed by a repair person not authorized by **EURO-PRO Operating LLC**.

This warranty is extended to the original purchaser of the unit and excludes all other legal and/or conventional warranties. The responsibility of **EURO-PRO Operating LLC** if any, is limited to the specific obligations expressly assumed by it under the terms of the limited warranty. **In no event is EURO-PRO Operating LLC** liable for incidental or consequential damages of any nature whatsoever. Some states do not permit the exclusion or limitation of incidental or consequential damages, so the above may not apply to you.

This warranty gives you specific legal rights, and you may also have other rights which vary from state to state or province to province.

***Important: Carefully pack item to avoid damage in shipping. Be sure to include proof of purchase date and to attach tag to item before packing with your name, complete address and phone number with a note giving purchase information, model number and what you believe is the problem with the item. We recommend you insure the package (as damage in shipping is not covered by your warranty). Mark the outside of your package "ATTENTION CUSTOMER SERVICE". We are constantly striving to improve our products, therefore the specifications contained herein are subject to change without notice.**



FOR CANADIAN CONSUMERS ONLY OWNERSHIP REGISTRATION CARD

Please fill out and mail the product registration card within ten (10) days of purchase. The registration will enable us to contact you in the unlikely event of a product safety notification. By returning this card you acknowledge to have read and understood the instructions for use, and warnings set forth in the accompanying instructions.

Canada: **EURO-PRO Operating LLC**, 4400 Bois Franc, St-Laurent, Québec H4S 1A7

Model V1504C

Appliance model

Date purchased

Name of store

Owner's name

Address

City

Prov.

Postal Code

CONSIGNES DE SÉCURITÉ IMPORTANTES

Lorsque vous utilisez votre **Aspirateur Vertical Sans Sac**, les précautions sécuritaires de base devraient toujours être observées, incluant celles-ci:

1. Lisez toutes les instructions avant d'utiliser votre **aspirateur**.
2. L'appareil ne doit être utilisé que pour les utilisations pour lesquelles il a été conçu.
3. Pour vous protéger contre tout risque de choc électrique, **NE PAS** immerger aucune des parties de l'appareil dans l'eau ou tout autre liquide.
4. Ne **jamais** tirer sur le cordon électrique pour débrancher l'appareil de la prise murale électrique; saisissez plutôt la fiche d'alimentation électrique et tirez pour débrancher.
5. **NE PAS** laisser le cordon électrique toucher de surfaces chaudes.
6. **NE PAS** faire rouler l'appareil par-dessus le cordon électrique.
7. **NE PAS** faire fonctionner l'appareil si le cordon ou la fiche électrique est endommagé ou si l'appareil ou une partie de celui-ci a été échappé ou endommagé. Pour éviter tout risque de choc électrique, **NE PAS** démonter ou tenter de réparer l'aspirateur. Retournez l'aspirateur à **EURO-PRO Operating LLC** (voir la garantie) pour une vérification et une réparation. Un réassemblage ou une réparation inappropriée peut causer un choc électrique ou des blessures personnelles lors de l'utilisation de l'aspirateur.
8. Une supervision étroite est nécessaire lors de l'utilisation de tout appareil par ou près des enfants. **NE PAS** laisser l'appareil sans surveillance alors que celui-ci est branché.
9. Gardez les cheveux, vêtements amples, doigts et toutes autres parties du corps loin des ouvertures et des parties mobiles.
10. **NE PAS** l'utiliser pour ramasser des liquides inflammables ou combustibles, tel que de l'essence, ou utiliser dans des endroits où ceux-ci pourraient être présents.
11. **NE PAS** ramasser quoi que ce soit qui brûle ou fume, tel que des cigarettes, allumettes ou cendres chaudes.
12. Soyez extrêmement prudent lorsque vous nettoyez les escaliers.
13. **NE PAS** utiliser l'aspirateur si les filtres ne sont pas en place.
14. L'appareil est conçu pour une utilisation domestique seulement. Suivez toutes les instructions contenues dans ce manuel.

AVERTISSEMENT: Pour réduire les risques d'incendie, de choc électrique ou de blessures:

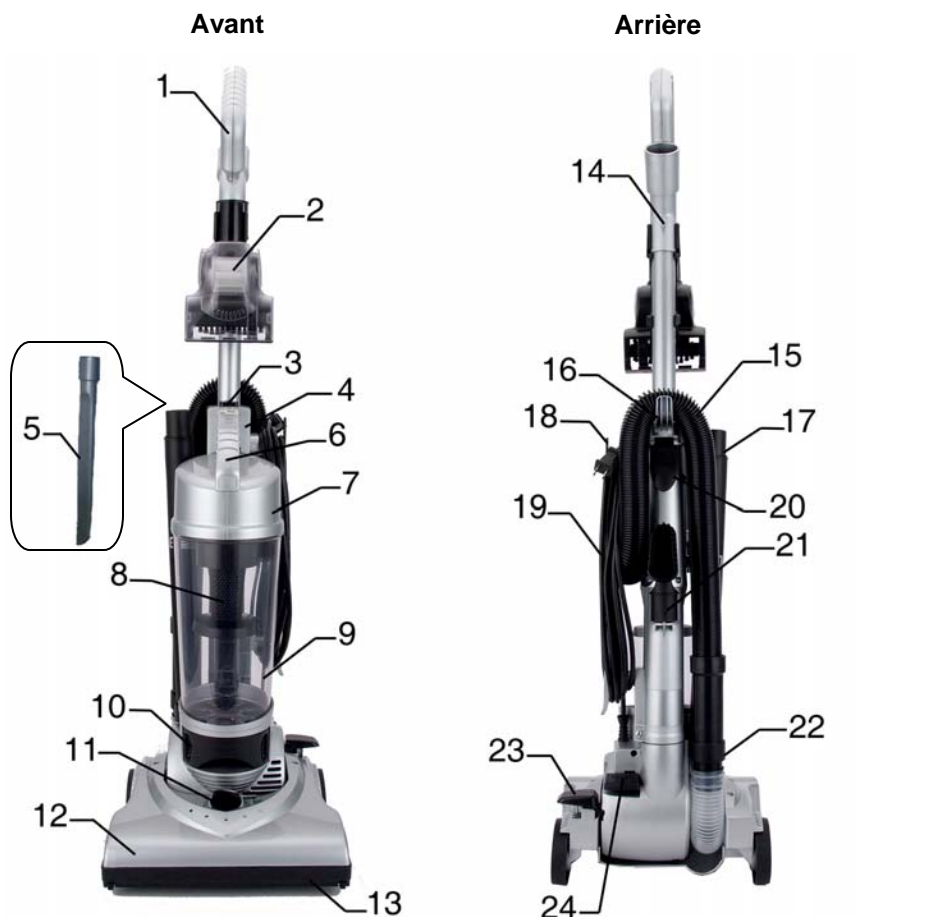
- **NE PAS** laisser l'aspirateur branché alors qu'il est laissé sans surveillance. Débranchez le cordon électrique lorsqu'il n'est pas utilisé et avant tout entretien.
- **NE** permettez **PAS** que cet appareil soit utilisé comme un jouet. Une surveillance étroite est nécessaire s'il est utilisé par ou près d'un enfant, d'animaux domestiques ou de plantes.
- N'utilisez seulement tel qu'indiqué dans ce manuel. Utilisez seulement les accessoires recommandés par le fabricant.
- **NE PAS** tirer sur le cordon électrique, l'utiliser comme poignée, fermer la porte sur celui-ci ou le tirez sur des coins pointus ou coupants. Le cordon doit être tenu loin de toutes surfaces chauffées.
- Utilisez seulement une rallonge électrique de grade UL ou cUL de 15 ampères. Les rallonges électriques de moindre ampérage peuvent surchauffer. Vous devriez prendre soin d'installer le cordon électrique de façon à ce qu'il ne puisse être tiré ou que quelqu'un trébuche.
- Fermez tous les contrôles nécessaires avant de le débrancher de la prise murale électrique.
- **NE PAS** manipuler la fiche d'alimentation ou l'aspirateur lorsque vous avez les mains trempées ou ne portez pas de chaussures.
- **NE PAS** insérer d'objets dans les ouvertures. Ne pas utiliser si des ouvertures sont obstruées. Gardez l'appareil sans poussière, charpie, cheveux et toute autre chose pouvant réduire le débit d'air.
- Rangez votre appareil à l'intérieur, dans un endroit frais et sec.
- Gardez votre zone de travail propre.
- Tenez éloigné de votre visage et votre corps le tuyau, la baguette et toutes autres ouvertures.
- **NE PAS** utiliser à l'extérieur ou sur des surfaces humides.
- L'utilisation d'un voltage inadéquat peut endommager le moteur et causer des blessures à l'utilisateur. Le voltage adéquat est indiqué sur l'étiquette de caractéristiques nominales.

CONSERVEZ CES INSTRUCTIONS Pour Usage Domestique Seulement



AVERTISSEMENT: Pour réduire le risque de choc électrique, cet appareil possède une fiche polarisée (une broche est plus large que l'autre). Cette fiche convient à toutes les prises électriques polarisées; elle ne peut être insérée que d'une seule façon. Si la fiche ne s'insère pas complètement dans la prise murale, retournez la fiche. Si cela ne fonctionne toujours pas, contacter un électricien accrédité pour faire installer une prise murale adéquate. Ne modifiez pas la fiche d'alimentation électrique.

FAMILIARISEZ-VOUS AVEC VOTRE ASPIRATEUR VERTICAL SANS SAC



1. Poignée
2. Brosse Turbo pour Poils d'Animaux
3. Bouton de Dégagement du Récipient à Poussière
4. Boîtier Principal de l'Aspirateur
5. Suceur Plat (à l'intérieur de la rallonge)
6. Poignée de Transport
7. Couvercle du Récipient à Poussière
8. Tamis du Récipient à Poussière
9. Capsule à Poussière (récipient)
10. Cadre du Filtre Pré-Moteur
11. Bouton d'Ajustement de Hauteur du Tapis
12. Tête Motorisée

13. Garde pour Mobilier
14. Crochet pour Cordon Électrique
15. Tuyau Flexible
16. Support de Tuyau
17. Tube de Rallonge
18. Bouton de Dégagement Rapide du Support de Cordon Électrique
19. Cordon Électrique
20. Levier de Blocage de la Poignée
21. Brosse à Tissu
22. Connecteur de Tuyau
23. Pédale de Dégagement de la Poignée
24. Pédale Marche/Arrêt

Spécifications Techniques

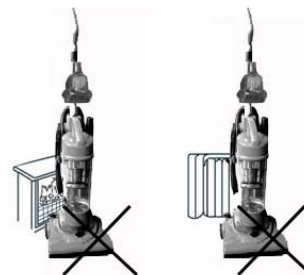
Voltage: 120 volts, 60 Hz.
Puissance: 12 ampères

* Remarque: L'illustration peut différer du produit actuel.

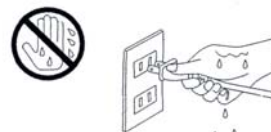
MESURES DE SÉCURITÉ

IMPORTANT: Si l'ouverture de succion dans l'appareil ou le tuyau est BLOQUÉE, arrêtez l'aspirateur et retirez les objets obstruant le passage avant de redémarrer l'appareil.

1. **NE PAS** faire fonctionner l'aspirateur près des éléments thermiques ou des radiateurs.



2. Avant de brancher la fiche d'alimentation électrique dans la prise de courant, assurez-vous que vos mains sont sèches.



3. **NE PAS** aspirer de liquides avec l'aspirateur.



4. Gardez les cheveux, vêtements amples, doigts, pieds et toutes autres parties du corps loin des ouvertures, brosses rotatives et autres parties mobiles.



5. Lorsque vous retirez la fiche d'alimentation électrique de la prise murale, tirez sur la **fiche** et non pas sur le cordon électrique.



6. **NE PAS** ramasser quoi que ce soit qui brûle ou dégage de la fumée, tel que des cigarettes, allumettes ou cendres chaudes.

7. **NE PAS** faire rouler l'appareil par-dessus le cordon électrique.



8. **NE PAS** utiliser si le filtre du récipient à poussière ou les filtres ne sont pas en place.

9. Avant d'utiliser l'aspirateur, assurez-vous de retirer les gros objets ou objets pointus pouvant endommager l'aspirateur.



AVERTISSEMENT: Débranchez toujours la fiche d'alimentation électrique de la prise murale avant d'assembler, installer, retirer des accessoires ou lorsque vous effectuez un entretien ou un diagnostic de panne.

Assemblage de Votre Aspirateur

1. Relevez le levier de blocage de la poignée. (Fig. 1)
2. Insérez la poignée aussi loin que vous le pouvez dans l'ouverture située sur le dessus du boîtier principal de l'aspirateur. Assurez-vous que la poignée est engagée correctement dans l'ouverture.
3. Appuyez le levier de blocage vers le bas pour verrouiller la poignée en place.



Fig. 1

Enroulement et Déroulage du Cordon Électrique

Cet aspirateur est muni d'une caractéristique de rangement pratique pour le cordon électrique. Le cordon s'enroule autour de deux supports situés sur le côté de l'appareil. Le support supérieur possède un dispositif de dégagement rapide du cordon. Tournez à 180° le support supérieur vers la gauche ou la droite afin de retirer aisément le cordon électrique. (Fig. 2) Pour enrouler le cordon, assurez-vous que le support à dégagement rapide est en position verticale et enroulez le cordon dans le sens des aiguilles d'une montre autour des deux supports.

Remarque: Enroulez le cordon électrique avec une trop grande tension pourrait endommager celui-ci.



Fig. 2

Utilisation de Votre Aspirateur

AVERTISSEMENT: Évitez de laisser l'aspirateur en marche à un endroit pour une période prolongée car cela pourrait endommager le tapis.

Lorsque vous utilisez votre aspirateur, retirez le cordon électrique des supports, fixez le cordon à son crochet et assurez-vous que la balance du cordon électrique n'entrera pas en conflit avec la tête motorisée lorsque vous passerez l'aspirateur.

IMPORTANT: Assurez-vous toujours que l'aspirateur est éteint avant de le débrancher ou le brancher.

1. Branchez l'aspirateur et appuyez sur la pédale Marche/Arrêt.
2. Appuyez sur la pédale de dégagement de la poignée afin de libérer celle-ci. (Fig. 3)

Remarque: Lorsque vous utilisez les accessoires, l'aspirateur doit être en position verticale.

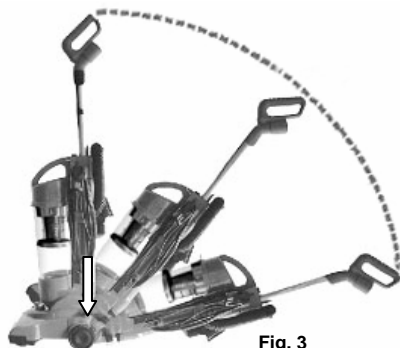


Fig. 3

Ajustement pour la Hauteur du Tapis

AVERTISSEMENT: Pour éviter tout risque de blessures, les vêtements amples, cheveux, doigts et toute autre partie de votre corps doivent être éloignés des parties mobiles (comme la brosse fouet). Assurez-vous que l'aspirateur est éteint et débranchez-le avant de toucher au bouton d'ajustement de la hauteur du tapis.

ATTENTION: Une attention spéciale est requise lorsque vous passez l'aspirateur sur certains types de recouvrement de tapis ou de planchers. Avant de passer l'aspirateur, vérifiez toujours si le fabricant du recouvrement de plancher ou de tapis a des instructions particulières pour le nettoyage. Sur le devant de la tête motorisée, il y a un bouton d'ajustement pour la hauteur du tapis qui soulève ou abaisse la tête; vous pouvez donc faire correspondre la hauteur de celle-ci avec votre recouvrement de tapis ou de plancher. (Fig. 4)



Fig. 4

Remarque: NE PAS appuyer sur la tête motorisée pendant que vous tournez le bouton.

Cet aspirateur vertical peut être utilisé pour différents types de tapis, planchers sans recouvrement ou sur des tissus possédant des garnitures. Lorsque vous utilisez les accessoires, positionnez l'aspirateur à la verticale et utilisez l'ajustement le plus haut. De cette façon, vous n'endommagerez pas le plancher alors que la brosse fouet continuera de broser la même zone sur le plancher pendant que vous utilisez les accessoires. Pour un nettoyage à fond, le bouton d'ajustement de la hauteur doit être réglé à la position la plus basse. Si

l'aspirateur est trop difficile à pousser, tourner le bouton à l'ajustement de hauteur suivante. La brosse fouet doit atteindre le tapis pour un nettoyage efficace.

Remarque: Lorsque vous modifiez la hauteur de la tête motorisée, vous ne remarquerez la différence que lors du relâchement de la poignée.

Suggestions pour l'ajustement de la hauteur:

Vous devrez peut-être soulever ou abaisser la hauteur de l'aspirateur dépendamment de la surface à nettoyer, comme des carpettes et des tapis en velours longs. Les ajustements suggérés sont:

- Plus élevé accessoires
- Élevé tapis à poils longs, velours longs, carpettes de peluche
- Med velours de médium à long
- Bas velours court à médium, planchers sans recouvrement
- Plancher velours très court, planchers sans recouvrement

Vider la Capsule à Poussière (récipient)

AVERTISSEMENT: Débranchez toujours le cordon électrique de la prise murale avant de retirer la capsule à poussière (récipient), le filtre ou effectuer tout entretien ou lors de diagnostic de pannes.

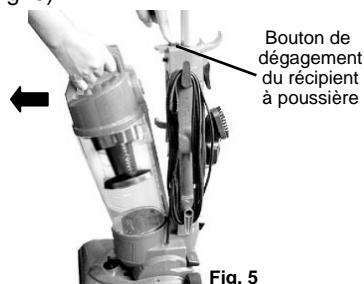
MISE EN GARDE: Les débris situés dans le récipient à poussière ne doivent jamais dépasser la ligne MAX, située sur le côté du récipient.

Remarque: Pour de meilleurs résultats, nettoyez votre récipient à poussière, les filtres et le cadre du filtre pré-moteur. Lors d'une baisse de la succion, cela peut signifier que le récipient à poussière, le tamis du récipient à poussière, le filtre pré-moteur ou le cadre du filtre pré-moteur est sale. Nous vous recommandons de nettoyer le filtre pré-moteur et le cadre du filtre pré-moteur une fois par trois (3) mois et de remplacer le filtre de celui-ci annuellement ou tel que requis.

IMPORTANT:

- **NE PAS** utiliser l'aspirateur sans que le récipient à poussière, le tamis du récipient à poussière, le filtre ou le cadre du filtre pré-moteur ne soit en place.
- **NE PAS** utiliser de détergents pour nettoyer le récipient à poussière, le tamis du récipient à poussière, le filtre ou le cadre du filtre pré-moteur.
- **NE PAS** nettoyer le récipient à poussière, le tamis du récipient à poussière, le filtre ou le cadre du filtre pré-moteur dans le lave-vaisselle.
- Assurez-vous que toutes les pièces sont **COMPLÈTEMENT** sèches avant de les réinstaller dans le boîtier de l'aspirateur. Laissez le filtre pré-moteur et le cadre du filtre pré-moteur sécher à l'air libre pendant 24 heures.
- **NE FAITES SÉCHER AUCUNE PIÈCE DANS LA SÈCHEUSE.**

1. Pour retirer le récipient à poussière, appuyez sur le bouton de dégagement de celui-ci et retirez le récipient du boîtier de l'aspirateur. (Fig. 5)



2. Pour vider le récipient à poussière, tenez-le par la poignée de transport au-dessus d'un sac à ordures et appuyez sur le bouton de dégagement de la trappe d'évacuation située sur le dessus de la poignée. (Fig. 6)



3. Secouez-le pour faire sortir les débris, refermez ensuite la trappe en appuyant sur celle-ci jusqu'à ce que vous entendiez un bruit de dé clic.

Nettoyage du Tamis du Récipient à Poussière et du Récipient

Le tamis du récipient à poussière et le récipient à poussière doivent être libres de toute saleté et débris. Pour ce faire, ils doivent être nettoyés régulièrement ou lorsque requis, afin d'obtenir une efficacité maximum de votre aspirateur.

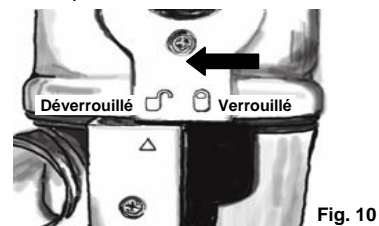
1. Appuyez sur le bouton de dégagement de la trappe d'évacuation afin d'ouvrir celle-ci.
2. Tenez le récipient à poussière d'une main alors que de l'autre main vous tournez la poignée ou le couvercle dans le sens des aiguilles d'une montre afin de le déverrouiller et le retirer. (Fig. 7)
3. Retirez le tamis du récipient à poussière de l'intérieur du couvercle du récipient en tournant le tamis dans le sens contraire des aiguilles d'une montre; vous n'avez plus qu'à tirer. (Fig. 8)



4. Nettoyez le tamis du récipient et le récipient à poussière sous le robinet avec une eau savonneuse tiède. (Fig. 9)

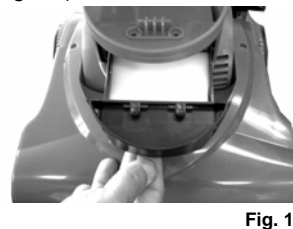


5. Laissez sécher complètement le tamis du récipient et le récipient à poussière avant de les réassembler et les réinstaller dans le boîtier de l'aspirateur.
6. Une flèche sur le côté du récipient à poussière indique lorsque le couvercle est verrouillé ou non quand vous le tournez. (Fig. 10) Assurez-vous que la flèche indique que le couvercle est en position verrouillée avant de réinstaller le récipient à poussière dans le boîtier de l'aspirateur.

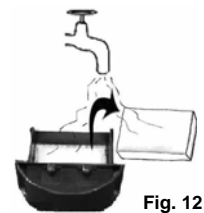


Nettoyage du Filtre Pré-Moteur

1. Tirez le cadre du filtre pré-moteur hors du boîtier de l'aspirateur. (Fig. 11)



2. Retirez le filtre pré-moteur du cadre et nettoyez les deux articles sous le robinet avec une eau tiède. (Fig. 12)



3. Laissez les deux parties sécher complètement avant de réinstaller le filtre dans le cadre; glissez ensuite le cadre dans le boîtier de l'aspirateur. Laissez le filtre pré-moteur et le cadre du filtre pré-moteur sécher à l'air libre pendant 24 heures. **NE PAS FAIRE SÉCHER DANS LA SÈCHEUSE.**

Utiliser les Accessoires

IMPORTANT: Assurez-vous que l'aspirateur est éteint lorsque vous unissez ou retirez tout accessoire.

MISE EN GARDE: NE PAS tirer l'aspirateur par le tuyau. **NE PAS** trop étirer le tuyau. Tentez de rejoindre un emplacement au-delà des possibilités de l'aspirateur pourrait faire basculer celui-ci.

Suceur Plat

Le suceur plat est localisé à l'intérieur de la rallonge du tube et peut être utilisé pour les radiateurs, fentes, coins, plinthes et entre les coussins. (Fig. 13)



Brosse à Tissu

La brosse à tissu est montée de façon pratique à l'arrière du boîtier de l'aspirateur. La brosse peut être utilisée pour le nettoyage du mobilier, les jalousies vénitien, livres, abat-jours et étagères. (Fig. 14)



Tube de Rallonge

Cet accessoire est rangé du côté droit de l'aspirateur, sur son propre support situé juste à l'avant de l'endroit où le tuyau flexible est rattaché au connecteur du tuyau. Cet outil est conçu pour vous permettre de rejoindre les endroits éloignés. Fixez cet accessoire par l'extrémité spécifique au tuyau flexible et utilisez-le pour les endroits difficiles à atteindre. (Fig. 15)



Brosse Turbo

La brosse turbo se fixe à la poignée à l'aide d'un support d'attache.

1. Assurez-vous que la poignée est fixée au boîtier de l'aspirateur avant de fixer la brosse turbo à la poignée.
2. Commencez par fixer la brosse turbo au support d'attache en accrochant le coin de l'ouverture sous la trappe d'évacuation sur le dessous de la brosse turbo à la partie plate du support. Appuyez ensuite sur la partie du tube de la brosse turbo contre l'agrafe sur le support; les deux pièces s'enclencheront ensemble.
3. Tenez les pièces ainsi assemblées par la brosse turbo et touchez les deux agrafes sur le support au tube de métal situé sur la poignée. Tenez la poignée par le dessus et serrez les deux pièces ensemble; forcez d'avantage sur l'agrafe la plus grosse jusqu'à ce que les agrafes s'enclenchent ensemble.
4. Retirez la brosse turbo du support pour l'utiliser. (Fig. 16)



Fig. 16

L'efficacité de votre brosse turbo dépend de la rotation à haute vitesse de la brosse de soie de porc. Une forte succion d'air est nécessaire pour l'accomplir. Afin d'assurer une succion d'air maximum, veuillez lire les instructions suivantes:

1. Videz le récipient à poussière fréquemment pendant l'utilisation.
2. Vérifiez la rotation de la brosse de soie de porc et la régularité de la roue de turbine à air. Inspectez la roue de turbine et le débit d'air pour tout débris ou blocages. S'il y a des débris, retirez-les.

3. Inspectez la rotation de la brosse pour toute accumulation de cheveux ou de ficelles. Si présent, retirez-les en les coupant soigneusement avec une paire de ciseaux. Évitez d'endommager ou de couper les soies.

Nettoyage de la Brosse Turbo pour Poils d'Animaux

Pour nettoyer la brosse turbo pour poils d'animaux:

1. Tenez la brosse turbo dans votre main et, à l'aide d'un tournevis, relevez soigneusement le couvercle. (Fig. 17)



Fig. 17

2. Inspectez la roue de turbine et le débit d'air pour tout débris ou blocage. S'il y a des débris, retirez-les.
3. Inspectez la rotation de la brosse pour toute accumulation de cheveux ou de ficelles. Si présent, retirez-les en les coupant soigneusement avec une paire de ciseaux. Évitez d'endommager ou de couper les soies.
4. Une fois nettoyée, alignez le couvercle de la brosse turbo avec les coins de la brosse et enclenchez celui-ci. (Fig. 18)



Fig. 18

Utilisation de l'Aspirateur Après le Nettoyage du Plancher

1. Placez l'aspirateur en position verticale.
2. Réglez le bouton d'ajustement pour la hauteur du tapis au plus élevé « ● ».
3. Pour fixer les accessoires au tuyau flexible, retirez ce dernier du connecteur de tuyau et poussez l'accessoire désiré dans l'extrémité.
4. Si une longueur supplémentaire est requise, la poignée peut être utilisée. Retirez la poignée du boîtier de l'aspirateur en commençant par soulever le levier de blocage de la poignée. Poussez l'extrémité du tuyau flexible dans l'ouverture située à l'arrière de la poignée. Fixez l'accessoire désiré à l'extrémité de la poignée.
5. Le suceur plat, la brosse turbo et la brosse à tissu peuvent aussi être fixées à l'extrémité du tube de rallonge.
6. Assurez-vous que l'accessoire utilisé est approprié pour la surface que vous nettoyez.
7. Pour recommencer à passer l'aspirateur sur le plancher, effectuez les étapes suivantes:
 - Détachez le tuyau de la poignée et repoussez-le dans le connecteur du tuyau.
 - Suspendez le tuyau flexible sur le support de tuyau.
 - Retournez la poignée à sa position initiale dans l'ouverture, sur le dessus du boîtier de l'aspirateur, et repoussez la poignée vers le bas pour verrouiller le levier de blocage.
 - Réglez le bouton d'ajustement pour la hauteur du tapis au niveau adéquat.

Nettoyage d'Obstructions

IMPORTANT: Tout dommage causé alors que vous nettoyez ou tentez de nettoyer une obstruction, n'est pas couvert par la garantie limitée de votre produit.

MISE EN GARDE: Attention aux objets pointus lorsque vous nettoyez des blocages.

IMPORTANT: Refixez solidement les parties de l'aspirateur avant de l'utiliser à nouveau.

AVERTISSEMENT: Éteignez et débranchez l'appareil avant de chercher ou retirez tout débris ou blocage.

Occasionnellement, l'aspirateur peut se bloquer suite à une accumulation de débris; un nettoyage est alors nécessaire. Pour réduire le risque de choc électrique, le cordon électrique doit être débranché avant de nettoyer une obstruction ou d'effectuer un entretien ou des vérifications de pannes.

Si vous croyez qu'une obstruction est présente, il est important de localiser où elle est située. Une fois trouvée, retirez soigneusement l'objet obstruant à l'aide d'un outil approprié qui ne vous blessera pas et n'endommagera pas l'appareil. Suivez les étapes suivantes pour tenter de trouver l'obstruction.

1. Premièrement, vous devez vous assurer que le récipient à poussière, tamis du récipient à poussière, filtre et cadre du filtre pré-moteur sont exempts de tout débris; cela pourrait causer une mauvaise succion s'ils étaient sales.
2. Assurez-vous que tous les accessoires et les différentes parties de l'aspirateur sont exempts de blocage. Éclairiez à l'aide d'une lumière pour vous assurer qu'aucun objet n'est présent à l'intérieur.
3. Si vous utilisez la poignée comme rallonge, assurez-vous de vérifier l'intérieur de celle-ci aussi.
4. Vérifiez le tuyau flexible pour toute obstruction en retirant le tuyau du connecteur. L'autre extrémité peut aussi être détachée en serrant les languettes ondulées sur les côtés du tuyau pour ensuite tirer. Redressez le tuyau et, à l'aide d'une lampe de poche, éclairez l'intérieur afin de vérifier s'il y a présence d'obstruction.

- Vérifiez l'intérieur des ouvertures, là où les deux extrémités du tuyau se rattachent au boîtier de l'aspirateur.
- Il y a une ouverture d'admission, là où il y a la brosse fouet, juste en dessous de l'appareil où les débris peuvent s'accumuler, diminuant la succion. Vous pouvez vérifier cet endroit en dégageant la poignée à l'aide de la pédale de dégagement pour positionner verticalement l'aspirateur. Laissez l'aspirateur reposer sur sa partie frontale et vérifiez à l'intérieur de l'ouverture à l'aide d'une lampe de poche.

Nettoyage de la Brosse Fouet

Pour inspecter la brosse fouet, dégagez la poignée à l'aide de la pédale de dégagement pour positionner verticalement l'aspirateur et laissez-le reposer sur sa partie frontale, exposant ainsi la brosse fouet sur la partie inférieure de l'appareil. Une accumulation de cheveux, ficelles, fils, et autres débris peuvent être emprisonnés et s'enrouler autour de la brosse fouet. Aucun débris ne doit être présent sur la brosse fouet pour un nettoyage efficace. Si une accumulation de débris est présente, retirez-la en coupant délicatement avec des ciseaux. Évitez d'endommager ou de couper les soies. (Fig. 19)

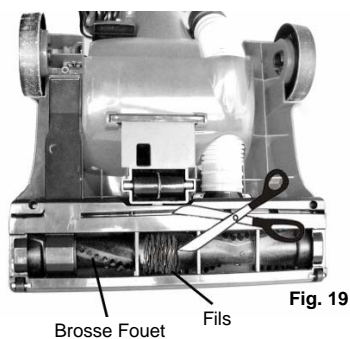


Fig. 19

Remplacement de la Courroie

AVERTISSEMENT: Pour réduire le risque de choc électrique, le cordon électrique doit être débranché avant de retirer le récipient à poussière, le filtre ou effectuer tout entretien ou diagnostic de pannes.

IMPORTANT: N'utilisez que des courroies recommandées par le fabricant.

Remarque: Soyez extrêmement prudent avec la nouvelle courroie et N'utilisez PAS d'outils tranchants pour l'installer car cela pourrait l'endommager.

Occasionnellement, la courroie d'entraînement de la tête motorisée faisant tourner la brosse fouet s'usera, se brisera ou commencera à glisser; un remplacement est alors nécessaire et la fréquence dépendra de l'utilisation de l'aspirateur.

- Éteignez l'aspirateur et débranchez-la de la source d'alimentation.
- Dégagez la poignée à l'aide de la pédale de dégagement; l'aspirateur se positionnera verticalement, laissez-la reposer sur sa partie frontale afin que vous puissiez clairement voir le dessous de l'aspirateur.
- Utilisez un tournevis Philips, retirez les trois (3) vis fixant la plaque inférieure à la tête motorisée. Assurez-vous de les déposer à un endroit sûr. (Fig. 20)

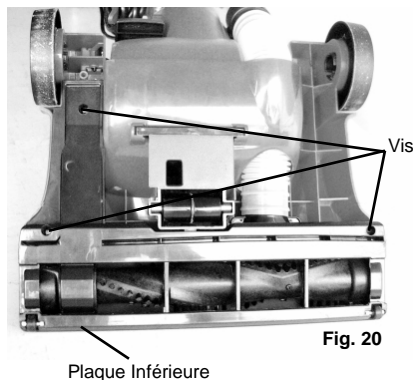


Fig. 20

- Soulevez soigneusement la plaque inférieure en commençant par la repousser vers l'avant et en la soulevant ensuite.

- Veillez remarquer la position de la courroie afin de vous assurer que la nouvelle sera positionnée exactement au même endroit. (Fig. 21)

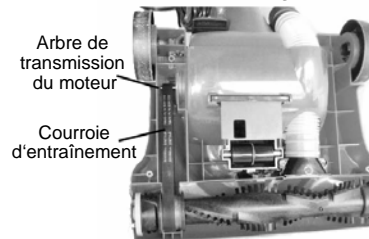


Fig. 21

- Retirez la brosse fouet en soulevant en premier le côté droit, ensuite le côté gauche. Soyez prudent car la courroie est étirée et possède une certaine tension.
- Retirez la courroie en la glissant pour dégager la brosse fouet et l'arbre de transmission du moteur ensuite. Afin de mieux atteindre l'autre extrémité de la courroie, là où elle est enroulée autour de l'arbre de transmission, vous pouvez laisser l'aspirateur sur le côté droit et retirez le petit couvercle de panneau localisé sur la tête motorisée. Celui-ci est situé à l'avant de la pédale de dégagement de la poignée. Ce panneau est retenu par trois (3) vis. En le retirant, l'arbre de transmission du moteur apparaîtra et vous donnera un accès facile à la partie enroulée de la courroie. Assurez-vous de déposer à un endroit sûr les vis et le petit couvercle du panneau.
- Nettoyez tout débris de la zone ou tout résidu de la courroie pouvant être présent.
- Installez la nouvelle courroie de la même façon que la précédente. Premièrement, vous devez l'entourer autour de l'arbre de transmission du moteur et ensuite sur la brosse fouet. Étirez-la alors que vous remettez la brosse fouet en place, en commençant par le côté gauche et ensuite le côté droit. Assurez-vous que la courroie est centrée sur l'arbre de transmission du moteur et que la brosse fouet peut effectuer des rotations.

- Une fois la courroie correctement en place, réinstallez le petit couvercle du panneau et la plaque inférieure. Assurez-vous que les vis sont remises en place et bien serrées. Ne serrez pas trop les vis afin de ne pas décapoter les trous des vis.

Thermostat du Moteur

IMPORTANT: Cet appareil est équipé d'un thermostat de protection du moteur. Si, pour une raison ou une autre, l'aspirateur surchauffe, le thermostat éteindra automatiquement celui-ci. Si cela devrait se produire:

- Appuyez une fois sur la pédale Marche/Arrêt.
- Débranchez la fiche d'alimentation de la prise électrique.
- Trouvez la raison de la surchauffe. (ex. tuyau bouché ou filtre sale)
- S'il s'agit d'un tuyau obstrué ou d'un filtre sale, débouchez le tuyau et/ou nettoyez ou remplacez le filtre.
- Attendez au moins 45 minutes avant de réutiliser l'appareil.
- Lorsque l'appareil a refroidi pendant 45 minutes, branchez-le et appuyez sur la pédale Marche/Arrêt. L'aspirateur devrait démarrer de nouveau. Si l'aspirateur ne démarre pas, ou si le thermostat éteint l'appareil une autre fois, contactez le service à la clientèle au 1 (800) 798-7395.

DÉPANNAGE

Cet appareil a été entièrement inspecté et était en bonne condition de fonctionnement lorsqu'il a été expédié de l'usine. Si un problème mineur se produit, il peut généralement être réglé facilement lorsque vous trouvez la cause. Pour votre commodité, veuillez consulter la liste de vérification suivante.

PROBLÈME	CAUSE POSSIBLE	SOLUTION POSSIBLE
L'Aspirateur ne Fonctionne pas	<ol style="list-style-type: none"> 1. Branché inadéquatement dans la prise murale. 2. Pas d'électricité dans la prise murale. 3. Pédale Marche/Arrêt non enclenchée. 4. Thermostat du moteur déclenché 5. Pas de courant dans la sortie électrique. 	<ol style="list-style-type: none"> 1. Branchez fermement. 2. Vérifiez le fusible ou le disjoncteur. 3. Appuyez sur la pédale Marche/Arrêt pour l'enclencher. 4. Faites une remise à zéro du thermostat de moteur. 5. Vérifiez le fusible ou le disjoncteur. Remplacez le fusible ou faites une remise à zéro du disjoncteur.
L'Aspirateur n'Aspire pas	<ol style="list-style-type: none"> 1. Récipient à poussière plein ou obstrué. 2. Mauvais ajustement de la hauteur pour tapis. 3. Embout obstrué. 4. Orifice d'entrée obstrué de poussière. 5. Tuyau obstrué. 6. Courroie brisée/usée. 7. Le tuyau n'est pas complètement inséré. 8. Filtres et cadre de filtre sales 	<ol style="list-style-type: none"> 1. Nettoyez le récipient à poussière. 2. Réglez l'ajustement. 3. Retirez toute obstruction. 4. Retirez la plaque inférieure de la tête motorisée et retirez tout obstruction. 5. Retirez toute obstruction. 6. Remplacez la courroie. 7. Poussez fermement en place le tuyau aux deux extrémités. 8. Nettoyez/remplacez le filtre et le cadre de filtre.
L'Aspirateur Soulève le Tapis ou il est Difficile à Pousser	<ol style="list-style-type: none"> 1. Mauvais ajustement de la hauteur pour tapis. 	<ol style="list-style-type: none"> 1. Réglez l'ajustement.
La Brosse Fouet ne Tourne pas	<ol style="list-style-type: none"> 1. Courroie brisée/usée. 2. La courroie est mal installée. 	<ol style="list-style-type: none"> 1. Remplacez la courroie. 2. Vérifiez les instructions pour le remplacement de courroie.
La Brosse Fouet ne Tourne pas ou Tourne Tranquillement	<ol style="list-style-type: none"> 1. Brosse rotative ou turbine obstruée. 2. Courroie brisée. 3. Tuyau obstrué. 	<ol style="list-style-type: none"> 1. Nettoyez toute obstruction. 2. Contactez le service à la clientèle. 3. Nettoyez toute obstruction.
Débit d'Air Restreint Lors d'Utilisation d'Accessoires	<ol style="list-style-type: none"> 1. L'utilisation d'accessoires restreint le débit d'air. 2. Nouveau débris de tapis obstruent le chemin d'air. 	<ol style="list-style-type: none"> 1. Vérifiez les accessoires. 2. Retirez toute obstruction.

POUR COMMANDER DES PIÈCES DE REMPLACEMENT

pour le Modèle V1504C

Contactez: 1 (800) 798-7395

Lundi au Vendredi 8h30 à 17h00 Heure Normale de l'Est

ou

Visitez notre site internet: www.sharkclean.com

ARTICLE	NO. PIÈCE
Filtre Pré-Moteur	XSH1504
Courroie d'Entraînement	XL1504

POUR DE L'ASSISTANCE TECHNIQUE

Contactez: 1 (800) 798-7395 Lundi au Vendredi 8h30 à 17h00 heure normale de l'Est

Veuillez Prendre Note:

Le tamis du récipient à poussière et le cadre du filtre pré-moteur sont lavables. Nous vous recommandons de nettoyer le filtre pré-moteur une fois tous les trois mois ou lors d'une baisse de succion. **NE PAS** laver dans le lave-vaisselle. Le filtre pré-moteur devrait par contre être remplacé annuellement, dépendamment de la fréquence d'utilisation, afin d'obtenir une performance optimale de votre aspirateur.

IMPORTANT:

Assurez-vous que **TOUS** les filtres lavables et le cadre du filtre pré-moteur sont **complètement** secs avant de les réinstaller dans l'aspirateur. Laissez le filtre pré-moteur et le cadre du filtre pré-moteur sécher à l'air libre pendant 24 heures. **NE PAS FAIRE SÉCHER DANS LA SÈCHEUSE.**

GARANTIE LIMITÉE DE UN (1) AN

EURO-PRO Operating LLC garantit ce produit contre toute défectuosité matérielle ou de main d'œuvre pour une période d'un (1) an à compter de la date d'achat originale, lorsqu'utilisé dans le cadre d'un usage domestique normal, sujet aux conditions, exclusions et exceptions suivantes.

Si votre appareil ne fonctionne pas comme il le devrait lors d'un usage domestique normal pendant la période de garantie, retournez-le au complet avec ses accessoires, frais préaffranchis. Pour contacter le service d'aide à la clientèle, contacter le 1 (800) 798-7395 ou visiter notre site Internet sur www.sharkclean.com.

S'il s'avérait que l'appareil possède une défectuosité matérielle ou de main d'œuvre, **EURO-PRO Operating LLC** le réparera ou le remplacera sans frais. Une preuve d'achat datée ainsi qu'un montant totalisant 16.95 \$ pour les frais d'expédition de retour et de manutention doivent être inclus. *

Les pièces non-durables incluant, mais sans s'y limiter, les filtres, les brosses et les pièces électriques qui nécessitent habituellement un remplacement sont spécifiquement exclus de la garantie.

La responsabilité **d'EURO-PRO Operating LLC** est limitée au coût des réparations ou du remplacement de l'appareil, à notre convenance. Cette garantie ne couvre pas l'usure normale des pièces et ne s'applique pas aux appareils ayant été altérés ou utilisés à des fins commerciales. Cette garantie limitée ne couvre pas les dommages causés par une mauvaise utilisation, l'abus, la négligence lors de la manipulation, un emballage inadéquat ou la mauvaise manipulation en transit. Cette garantie ne couvre pas les dommages ou défauts causés par ou résultant du transport, des réparations, ou de l'entretien ni de l'altération du produit ou à ces pièces effectuée par un réparateur non-autorisée **d'EURO-PRO Operating LLC**.

Cette garantie est couverte pour l'acheteur initial du produit et exclut toute autre garantie, légale ou conventionnelle. La responsabilité **d'EURO-PRO Operating LLC**, s'il y a lieu, se limite aux obligations spécifiques assumées par elle de façon express en vertu des conditions de cette garantie limitée. En aucun cas, **EURO-PRO Operating LLC** ne peut être tenu responsable d'incidents ou dommages indirects de toute nature que ce soit. Certains états ne permettent pas l'exclusion ou la limitation des dommages indirects, alors la disposition ci-dessus ne s'applique pas. Cette garantie vous confère des droits juridiques spécifiques, et d'autres droits légaux vous sont peut-être disponibles, variant d'un état à l'autre d'une province à l'autre.

***Important: Emballez soigneusement l'appareil pour éviter tout dommage lors du transport. Assurez-vous de joindre la preuve d'achat et d'attacher à l'appareil une étiquette mentionnant votre nom, adresse complète ainsi que le numéro de téléphone, de même que l'information concernant l'achat, le numéro de modèle et le problème, selon vous, de l'appareil. Nous vous recommandons d'assurer votre colis (puisque les dommages lors du transport ne sont pas couverts par la garantie). Indiquez sur l'extérieur de votre colis « ATTENTION SERVICE À LA CLIENTÈLE ». Nous travaillons sans relâche afin d'améliorer nos produits et, de ce fait, les spécifications décrites dans ce guide sont sujets à changement sans préavis.**



POUR LES CONSOMMATEURS CANADIENS SEULEMENT FICHE D'ENREGISTREMENT DU PROPRIÉTAIRE

Veillez remplir et poster la fiche d'enregistrement du produit dix (10) jours suivants l'achat. L'enregistrement nous permettra de vous contacter en cas d'avis sur la sécurité du produit. En nous retournant cette fiche, vous convenez avoir lu et compris les consignes d'utilisation et les avertissements qui les accompagnent.

Canada: **EURO-PRO Operating LLC**, 4400 Bois Franc, St Laurent, Québec, H4S 1A7

Modèle V1504C

Modèle d'appareil

Date d'achat _____ Nom du magasin _____

Nom du propriétaire _____

Adresse _____ Ville _____ Province _____ Code postal _____